

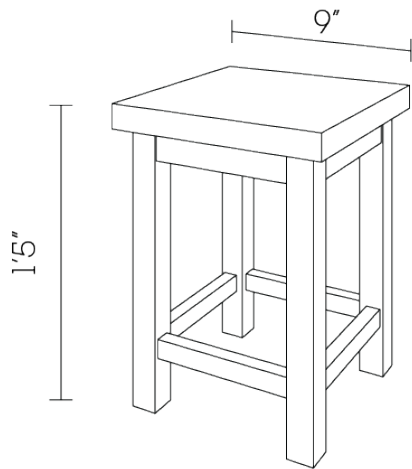
RVDS
CARPENTER'S STOOL

STOOL
2023



The carpenter's stool, a common everyday object found in the workshops of woodworkers, has been transformed into a stunning piece of functional art. Hand-carved from fiberglass and then cast in brass, this stool is finished with a semi-gloss buffed finish. This reimagined stool is part of a limited edition of five, with one artist's proof available.





Material: Sand Casted Brass

Finish: Buffed Brass

Dimensions: 9" (Length)

9" (Width)

1'5" (Height)

Number of Components: 1

Weight: 35 kgs

Finished and assembled by hand in India using Domestic Components.

All pieces are made to order.

Price: Rs. 1,80,000/- + GST

Lead time: 12 Weeks

Write to us at:

studio@ravivazirani.com

www.ravivazirani.com

©2023, RVDS